



CINEMA M8 & M8 Tower

MANUAL
Bedienungsanleitung

Table of Content

Important Notes	3	Multi-Channel Setup	7
Introduction	4	Center speaker	7
Safety instructions	4	Rear speakers	8
Quick Setup	4	Subwoofer	8
Connecting the speakers	5	Cleaning the loudspeakers	9
Choice of loudspeaker cable	5	Room Tuning	9
Wall mounting (M8)	5	Technical Specifications	10
Placement	6		

XTZ Values

Our basic philosophy is to recreate a balanced and natural sound with an optimum relation between price, performance and quality. This enables you to listen to your favorite music or movie with full joy and experience the sound like it was intended by the producer.

Our concept:

- Extensive development for advanced products.
- Cost-effective manufacturing & sales strategy.
- Meticulous quality controls.
- Reduction of intermediaries.

Website: www.xtz.se / www.xtzsound.eu

XTZ Group AB

Gamla Nissastigen 17

31441 Torup / Sweden

Phone: +46(0)345-20049

Mail: info@xtzsound.eu

Important Notes

- Please read these operating instructions carefully and keep them for reference.
- XTZ cannot be held liable for any damage resulting from non-compliance with the following instructions.
- Choose an even level, dry and clean place for your speakers, away from windows with direct sunlight, heat sources, vibrations, high humidity and extreme cold.
- Never open the housing. Contact our free of charge support in the event of problems or defects.
- Do not use force on the operating elements, connections or cables.
- Do not place your speaker close to heat sources or open flames (e.g. candles).
- Do not place any objects on the speaker housing or bass reflex opening. Oscillations and vibrations can damage them.
- Do not insert any objects or body parts into the speakers openings. Live components inside the housing could get touched and damaged.
- Turn down the volume immediately if sound distortions, such as unnatural knocking, beating or high-frequency clicking can be heard.
- Do not use any chemical solutions to clean the equipment. Use a clean, dry cloth.
- If exposed to severe temperature fluctuations, condensation (water drops) can form inside the speaker. In this case, wait for at least 2 hours until the moisture has evaporated before putting the equipment into operation.
- The power plug must always be accessible so that it can be removed in an emergency!
- The correct setup and connection of the speaker are the responsibility of the user. XTZ will not accept any responsibility for damage or injuries caused by incorrect setup or faulty connection.

Introduction

We would like to thank you for buying XTZ Cinema series. The speakers of the Cinema series offer a large numbers of possibilities. In order to utilize your new speakers in the best possible way, please read this manual carefully before using your speakers for the first time. It often takes some effort and patience to make a HiFi system sound its best. If you don't have any previous experience from this kind of installations, please feel free to contact our free of charge support and we will help you. (See Support on the last page of this manual)

Safety instructions

Switch off your amplifier before connecting the new speakers. Make sure that the speaker cables are tightened and have a strong connection to the speaker terminal and amplifier terminal.

Make sure that the speakers are not exposed to direct sunlight or strong artificial light.

Listening to high sound pressure levels over a longer period of time may harm your hearing. To avoid auditory effect do not listen to high sound levels over a longer period of time.

Quick Setup

The initial set-up of a XTZ loudspeaker is relatively easy. Please take your time reading the guidelines and more detailed instructions on the following pages of this manual after completing the first four steps as listed below.

1. **Unpacking.** Carefully remove the loudspeaker from the packaging and position it with its underside on the floor. Do not use any sharp objects for the unpacking since they may scratch the speakers. We strongly recommend that you keep the box and packaging materials for future use.
2. **Positioning.** Place the loudspeaker facing the listening area at its desired position in the room.
3. **Connecting.** While the amplifier is switched off, connect each loudspeaker to the amplifier with the speaker cable. Turn the volume level all the way down and power the amplifier on.
4. **Listening.** The loudspeaker is now ready to play. Optimal performance will only be realized after careful positioning and running the speakers as described over the course of the following pages. Enjoy your new XTZ loudspeakers!

Feel free to contact the XTZ free of charge service with any further questions or for additional assistance.

Connecting the speakers

1. Connect a two-pole (+/-) loudspeaker cable to the binding posts, located at rear of the cabinet. The high quality, gold plated binding posts can accommodate different connection systems:

- 4.0 mm banana plugs: The pins can be put directly into the binding post without any tightening necessary.
- Cable spades: Un-tighten the binding posts, insert the spade into the opening, and secure the spade by tightening the posts
- Bare wires: Un-tighten the binding posts and place the cable into the binding posts. Tighten the posts.

2. Connect the other cable ends to the loudspeaker outputs of your switched off power amp.

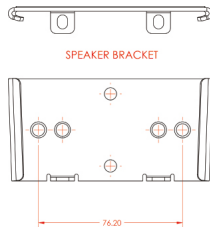
Choice of loudspeaker cable

The loudspeaker cable can have an impact on sound quality. In general, quality cable products will yield a quality result. Make sure to keep the cable length as short as possible. We recommend the use of a 2,5mm² (14 AWG) diameter for distances < 15m. Please make sure that all connectors are clean and not oxidized.

Connecting surround speakers

When connecting a two-channel stereo system, only the right and left channels are connected to the amplifier. In a surround set-up, center, side or rear loudspeakers as well as a subwoofer are typically connected to provide for a multi-channel listening experience. Please refer to the amplifier's owner manual for particular connection instructions and see chapter "Multichannel loudspeaker setup" on page 7 for further help.

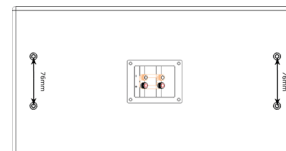
Wall mounting (Cinema M8 Only)



The M8 has two sets of threaded inserts with a distance of 76 mm (3") which are intended to be used with our Flush Mount kit, see figure here to the left. This spacing is also widely compatible with many after-market mounting brackets.

Note:

There are 2 sets (4 pcs of 2 mm thick, 4 pcs of 6mm thick) of rubber spacers included with the M8. These can be placed on the back of the speaker to prevent scratching the wall and provide space to run the speaker wires. Choose the spacer thickness according to how far you want the speaker to be away from the wall.



Horizontal M8 Speaker

Placement

Following explanations refer to the figure below. The distance between each loudspeaker (A) and your listening position (B) should be about the same. Try to achieve an isosceles triangle.

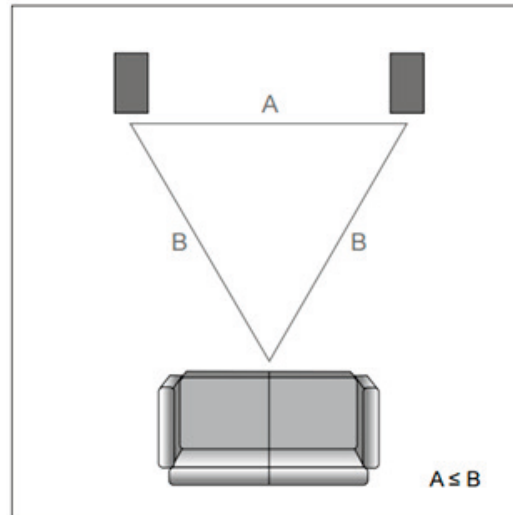
The distance between the loudspeakers should be the same or better slightly less than the distance between each loudspeakers and your listening position (A, B).

The closer the listening position is in relation to the loudspeakers, the closer the speakers can be positioned to each other.

As a starting point, it is recommended that the speakers be about 2-3 meters apart from each other for the best results (A).

If the speakers are positioned too close to each other, the stereo image will not seem realistic; if that distance is too wide, the image may leave an acoustic hole in the middle.

Paying attention to the image during listening tests will help dictate optimum placement during experimentation and set-up.



Distance to back and side walls

If a loudspeaker is placed near a wall, ceiling or floor the lower frequencies will be amplified by the room. Sometimes this is desirable, sometimes not (it may lead to indistinct bass reproduction). The bass amplification becomes more obvious if the speaker is placed near a corner. Thus, for a clear sound the speaker should be placed at least 20 cm (about 8 inches) away from the wall. However, there are exceptions room this rule. For some types of walls/rooms it may be an advantage placing the loudspeaker closer to the wall. The Cinema M8 is designed to work hanging on a wall.

Room and furniture influence

The sound quality of any loudspeaker is influenced by the furniture, wall materials and other objects in the listening room. For example, large rooms without much furniture and many clean, hard wall surfaces can give a bright and diffuse sound with diverse echoing frequencies. A room with thick carpet, curtains and soft furniture surfaces will give a warmer and darker sound.

Multi-Channel Setup

XTZ loudspeakers are designed to offer the most advanced performance in both stereo and multi-channel applications. When connecting a loudspeaker to a multi-channel setup, in general the same guidelines as mentioned in the text above will apply.

Note

Note When setting up a home theatre system, the loudspeakers should create a realistic sound stage with similar sound characteristics on each channel. It is therefore important that all speakers should match the same quality level. This is especially important with regards to the center channel loudspeaker, as this is the most critical aspect of any multichannel sound stage.

Loudspeakers for multi-channel setups

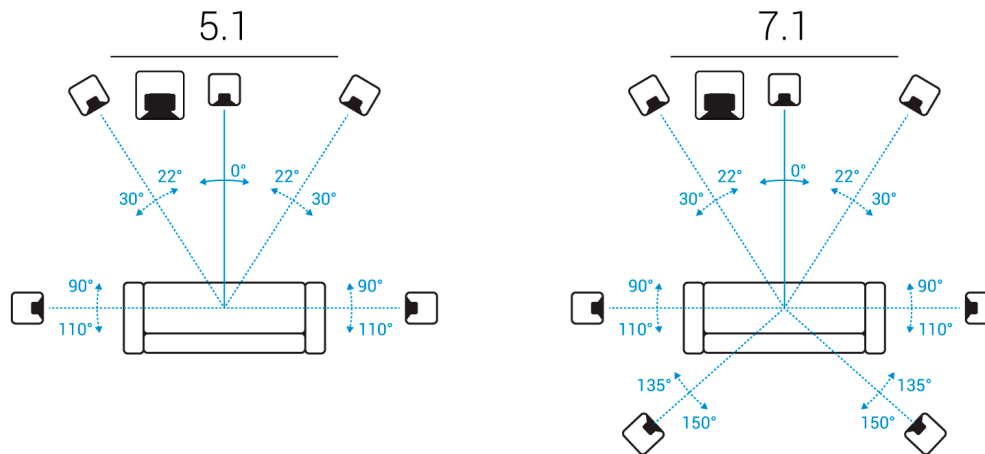
For a multi-channel setup, in addition to the two main (stereo) loudspeakers, additional channels (speakers) may be added to reproduce dialogue and surround effects. With the center channel and compact models, it is possible to achieve the same high level of performance and sound on every channel.

Center speaker

The center speaker is responsible for the information directed from the middle of the screen and should be positioned between the right and left main loudspeakers. In a home theater/surround setup, the center supports the images and should be placed close to the screen.

Rear speakers

The rear speakers are responsible for the rear sound effects behind the listening position. When using the compact models as rear speakers, the speakers can be placed into a shelf, mounted at the rear wall or placed on a stand. This allows you a wide variety of placements, even if your listening room and furniture limit an optimal setup. The picture below shows the optimal placement for surround speakers in a 5.1 and 7.1 speaker system.



Subwoofer

Most often a subwoofer will be utilized for the LFE-signal, especially in larger listening rooms. The position of the subwoofer will be dependent upon the size of the room and its acoustics. Please refer to the Subwoofer manual.

Warm up time

The moving parts of a newly manufactured XTZ loudspeaker have been acoustically checked after production, but nevertheless are not as flexible as they need to be for optimum results to be realized. The higher the quality of any driver system, the more demanding the loudspeaker will be regarding time for running-in the system. A newly unpacked XTZ loudspeaker therefore requires 50 – 100 hours of running/ playing to reach its optimum performance capability. After that period, a couple of minutes before every listening session will be helpful to “warm up” the loudspeakers.

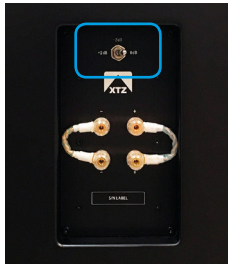
Cleaning the loudspeakers

Switch off all components of your system when cleaning any of these components. Avoid touching the tweeter domes as any change of their shape may have an impact on sound quality. Clean the cabinet and other plain parts with a soft dry or slightly damp cloth only. Remove dust on the woofer diaphragms with a fine furniture brush. All materials used by XTZ are integrated with exceptional care. By taking care of your loudspeakers, you will preserve the finish and build quality for a very long time

Power handling

Due to the construction and the driver technology XTZ loudspeakers can be driven with very high power levels. With a high quality amplifier, delivering undistorted signals, the speakers can achieve high levels without any compromises in sound quality. Attention must be given to amplifiers with very low power and adjustable tone controls or switches. These types may soon overreach their own performance limits and may send distorted output signals to the speakers, compromising even high quality technology. Any damage caused under such circumstances is not covered by the XTZ warranty.

Room Tuning



XTZ Cinema M8 and M8 Tower speaker are equipped with sound tuning possibilities as a part of our room tuning concept.

Tweeter level

On the backside of the Cinema M8 and M8 Tower (above the speaker terminals), there is a switch which will alter the tweeter sound characteristics. Choose between either 0 dB (neutral sound), + 2 dB (increased higher frequencies) or -2 dB (damped higher frequencies), based upon your own preference to treble level and the positioning of speakers related to your listening space.

Bassreflexport (M8 Tower Only)

It is furthermore possible to change the characteristics of the bass performance for the Cinema M8 Tower. By using the supplied bass plug in the bass reflex port, you can alter the lower boundary frequency of the speaker. This makes it possible to tune the bass characteristics of the speaker to your listening environment and personal taste.

Technical Specifications

M8

Construction Type	3-Way Sealed Fullrange speaker Left, Right & Center
Tweeter driver	One 1" Silk Dome XO: 18dB
Midrange driver	Five 1" Silk Domes XO: 18dB / 18dB
Woofers driver	Two 8" Coated Paper Cone XO: 24dB
Crossover Points	950Hz & 2500Hz
Frequency Response (+/- 3dB)	49 - 30 000 Hz
Nominal impedance	6 Ohm
Sensitivity (1W / 1m)	91,2dB
Power Handling (IEC 268-5)	600 W Short term IEC 268-5 350 W Long term IEC 268-5
Dimensions (W x H x D)	600 x 324 x 274 mm
Weight	27,7 kg
Warranty	5 years

M8 Tower

Construction Type	3-Way Hybrid (Ported/Sealed) Fullrange speaker Left & Right
Tweeter driver	One 1" Silk Dome XO: 18dB
Midrange driver	Five 1" Silk Domes XO: 18dB / 18dB
Woofers driver	Two 8" Coated Paper Cone XO: 24dB
Crossover Points	950Hz & 2500Hz
Frequency Response (+/- 3dB)	29 - 30 000 Hz, Vented (48 - 30 000Hz, Closed)
Nominal impedance	6 Ohm
Sensitivity (1W / 1m)	91,2dB
Power Handling (IEC 268-5)	600 W Short term IEC 268-5 350 W Long term IEC 268-5
Dimensions (W x H x D)	Cabinet: 1112 x 324 x 274 mm (H:1075 without foot and rubber spikes)
Weight	33,2 kg
Warranty	5 years

Inhaltsverzeichnis

Wichtige Hinweise	13	Mehrkanalsysteme	17
Einführung	14	Center-Lautsprecher	17
Sicherheitshinweise	14	Surround-Lautsprecher	18
Quick Setup	14	Subwoofer	18
Anschluss der Lautsprecher	15	Reinigung der Lautsprecher	19
Wahl der Lautsprecherkabel	15	Klanganpassungsmöglichkeiten	19
Wandmontage	15	Technische Daten	20
Positionierung	16		

XTZ Philosophie

Unser grundlegendes Ziel ist die natürliche und harmonische Ton-Wiedergabe mit optimalem Verhältnis aus Preis, Leistung und Qualität. So können Sie Ihre Lieblingsmusik oder Ihren Lieblingsfilm voller Freude genießen und genau so erleben, wie es vom Produzenten angedacht war.

Unser Konzept:

- Akribische Entwicklung für optimale Produkteigenschaften
- Kostengünstige Produktion und Vertriebsstrategie
- Sorgfältige Qualitätskontrollen
- Reduktion von Zwischenhändlern

Website: www.xtz-deutschland.de

XTZ-Deutschland

Neudorfstraße 19

76316 Malsch / Deutschland

Tel.: +49 7246 9131483

Mail: kontakt@xtz-deutschland.de

Wichtige Hinweise

- Bitte lesen Sie diese Bedienungsanleitung aufmerksam durch.
- Heben Sie diese auf, um auch später noch nachschlagen zu können.
- XTZ kann für Schäden, die aus Nichtbeachtung der folgenden Punkte resultieren, nicht haftbar gemacht werden.
- Wählen Sie für Ihre Lautsprecher einen ebenen, trockenen und sauberen Platz, entfernt von Fenstern mit direkter Sonneneinstrahlung, Wärmequellen, Erschütterungen, hoher Feuchtigkeit und extremer Kälte.
- Niemals das Gehäuse öffnen. Wenden Sie sich bei Problemen oder Defekten an unseren kostenlosen Support.
- Üben Sie keine Gewalt auf die Bedienelemente, Anschlüsse und Kabel aus.
- Stellen Sie nichts auf das Gehäuse der Lautsprecher oder vor die Bassreflex-Öffnung. Schwingungen und Vibrationen können zur Beschädigung von Gegenständen führen.
- Stecken Sie keine Gegenstände oder Körperteile in die Öffnung der Lautsprecher. Stromführende Teile im Inneren des Gehäuses könnten berührt und beschädigt werden. Dies kann zu Kurzschluss, elektrischen Schlägen und Feuerentwicklung führen.
- Falls bei der Wiedergabe Tonverzerrungen wie z. B. unnatürliches Klopfen, Pochen oder hochfrequentes Klicken auftreten, ist der Lautstärkepegel umgehend zu reduzieren.
- Verwenden Sie keine chemischen Lösungen zur Reinigung der Geräte. Benutzen Sie ein sauberes, trockenes Tuch.
- Bei starken Temperaturschwankungen kann es zu Kondensniederschlag (Wassertropfen) im Inneren der Lautsprecher kommen. Warten Sie mit der Inbetriebnahme bis sich die entstandene Feuchtigkeit verflüchtigt hat (mindestens 2 Stunden).
- Die richtige Aufstellung sowie der richtige Anschluss der Lautsprecher fallen in die Verantwortung des Anwenders. XTZ übernimmt keine Verantwortung für Schäden oder Unfälle, die durch unsachgemäße Aufstellung oder falsches Anschließen verursacht wurden.

Einführung

Danke, dass Sie sich für die XTZ Cinema-Serie entschieden haben. Die Lautsprecher der Cinema-Serie bieten zahlreiche Features. Um Ihre neuen Lautsprecher bestmöglich nutzen zu können, bitten wir Sie, diese Bedienungsanleitung sorgfältig zu lesen bevor Sie die Lautsprecher verwenden. Es erfordert ein wenig Geduld um ein HiFi-System optimal auf- und einzustellen. Falls Sie keine Erfahrung mit solchen Installationen besitzen, können Sie unseren kostenlosen Support kontaktieren. Wir helfen Ihnen gerne weiter.

Sicherheitshinweise

Schalten Sie Ihren Verstärker aus, bevor Sie die neuen Lautsprecher anschließen. Stellen Sie sicher, dass die Kabel fest angeschlossen sind und über einen guten Kontakt verfügen. Stellen Sie sicher, dass die Lautsprecher keinem direkten Sonnenlicht oder starkem Kunstlicht ausgesetzt sind. Länger andauerndes Hören mit hohen Lautstärkepegeln kann Ihrem Gehör schaden. Vermeiden Sie es daher, über einen längeren Zeitraum mit hoher Lautstärke zu hören.

Quick Setup

Die Inbetriebnahme von XTZ Lautsprechern ist unkompliziert. Bitte lesen Sie dazu unten stehende Leitlinien und die detaillierteren Instruktionen auf den folgenden Seiten, nachdem Sie die vier folgenden Schritte durchgeführt haben.

1. Entpacken

Bitte entpacken Sie das Produkt sorgsam. Seien Sie vorsichtig, wenn Sie das Produkt heben oder bewegen um mögliche Verletzungen zu vermeiden. Bitte bewahren Sie den Karton und das enthaltene Verpackungsmaterial für künftige Nutzung auf. Wenn dieses Produkt in einer anderen Verpackung versendet wird, sind mögliche Beschädigungen nicht durch die Garantie abgedeckt.

2. Positionierung

Platzieren Sie den Lautsprecher an der gewünschten Position und richten Sie ihn auf die Hörposition aus.

3. Anschluss

Schließen Sie die Lautsprecher mit Hilfe von Lautsprecherkabeln an den ausgeschalteten Verstärker an. Regeln Sie die Lautstärke zu Beginn ganz nach unten und erhöhen diese langsam.

4. Betrieb

Die Lautsprecher sind nun betriebsbereit. Optimaler Klang wird erreicht, indem Sie die Lautsprecher sorgsam positionieren und wie auf den folgenden Seiten beschrieben, betreiben. Wir wünschen Ihnen viel Freude mit Ihren neuen XTZ Lautsprechern.

Falls Sie weitere Fragen haben oder Hilfe bei der Einrichtung benötigen, können Sie gerne unseren kostenlosen Support kontaktieren.

Anschluss der Lautsprecher

1. Verbinden Sie das zweiadrige (+/-) Lautsprecherkabel mit den Schraubklemmen des Terminals auf der Rückseite des Lautsprechergehäuses. Die hochwertigen, vergoldeten Schraubklemmen gestatten drei verschiedene Anschlussmöglichkeiten.

- 4,0mm Bananenstecker: Sie können die Bananenstecker direkt in die Schraubklemmen stecken. Ein Festziehen der Klemmen ist nicht notwendig.
- Kabelschuhe: Lösen Sie die Schraubklemmen, führen den Kabelschuh ein und ziehen Sie die Klemmen wieder an.
- Einfaches Lautsprecherkabel: Lösen Sie die Schraubklemmen, führen das Lautsprecherkabel ein und ziehen Sie die Klemmen wieder an.

2. Verbinden Sie das andere Ende des Lautsprecherkabels mit Ihrem ausgeschalteten Verstärker.

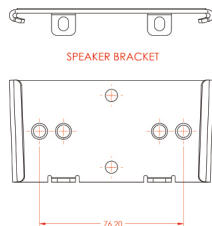
Wahl der Lautsprecherkabel

Das Lautsprecherkabel kann einen Einfluss auf die Wiedergabequalität besitzen. Allgemein werden qualitativ hochwertige Kabel für ein gutes Resultat sorgen. Stellen Sie sicher, dass die Kabel so kurz wie möglich sind. Wir empfehlen den Einsatz eines Kabels mit einer Querschnittsfläche von $2,5\text{mm}^2$ (14 AWG) für Entfernungen $< 15\text{m}$. Vergewissern Sie sich, dass die Kabel sauber und nicht oxidiert sind.

Anschluss von Surround-Lautsprechern

Falls Sie ein Stereo-System einrichten möchten, müssen Sie lediglich den rechten und linken Lautsprecher mit dem Verstärker verbinden. Um ein Surround-System einzurichten, müssen Sie zusätzliche Lautsprecher wie einen Center-Lautsprecher und Surround-Lautsprecher verbinden. Bitte folgen Sie den Instruktionen im Kapitel „Mehrkanalsysteme“ auf Seite 17.

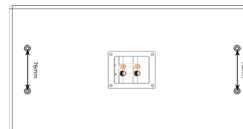
Wandmontage (Nur Cinema M8)



Die M8 verfügt über zwei Paar Gewindeeinsätze mit einem Abstand von jeweils 76 mm, die mit unserer Cinema Wandhalterung kompatibel sind (siehe Abbildung hier links).

Hinweis:

Es befinden sich 2 Sätze (4 Stk. 2 mm stark, 4 Stk. 6mm stark) Gummi-Abstandshalter im Lieferumfang der M8. Diese können auf der Rückseite des Lautspeakers platziert werden, um ein Kratzen der Wand zu verhindern und einen Abstand zu gewährleisten in dem die Lautsprecherkabel geführt werden können. Wählen Sie die Stärke der Gummi-Abstandhalter, je nachdem, wie weit der Lautsprecher von der Wand entfernt sein soll.



Horizontale M8

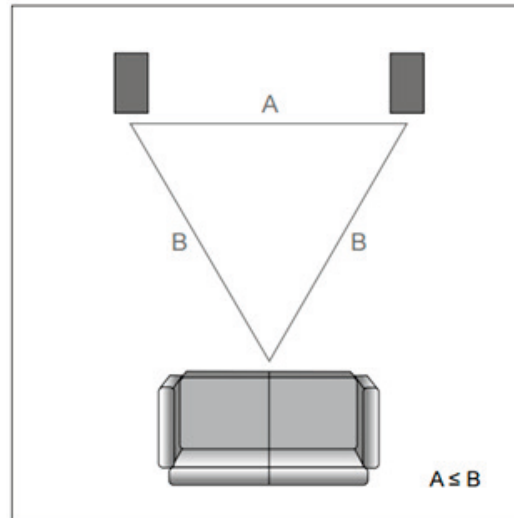
Positionierung

Die nachfolgenden Erklärungen beziehen sich auf die unten dargestellte Grafik. Die Entfernung zwischen den beiden Lautsprechern (A) und Ihrem Hörplatz (B) sollte in etwa identisch sein. Nach Möglichkeit sollte A kleiner sein als B. Versuchen Sie in jedem Fall, ein gleichschenkliges Dreieck zu bilden.

Je näher sich die Hörposition bei den beiden Lautsprechern befindet, desto geringer kann der Abstand zwischen den Lautsprechern sein.

Zu Beginn können Sie den Abstand der Lautsprecher voneinander (A) mit etwa 2-3 m wählen um ein gutes Ergebnis zu erzielen.

Wenn die Lautsprecher zu nahe beieinander positioniert werden, wird die Stereobühne nicht mehr realistisch abgebildet. Bei zu großem Abstand der Lautsprecher voneinander kann es in der Stereobühne zu einem Loch kommen.



Abstand zur Seiten- und Rückwand

Werden die Lautsprecher nahe an einer Wand, dem Boden oder der Decke platziert, werden die tiefen Frequenzen durch den Raum angehoben. Das ist zwar manchmal gewünscht, kann jedoch auch zu einer unsaubereren Basswiedergabe führen. Dieser Effekt wird durch die Aufstellung der Lautsprecher in einer Ecke noch verstärkt.

Um eine klare und saubere Wiedergabe zu erzielen, sollten die Lautsprecher mindestens 20cm von Wänden entfernt positioniert werden. Es gibt dabei jedoch einige Ausnahmen wie zum Beispiel Wandlautsprecher (wie die Cinema M8), welche für diesen Anwendungszweck konstruiert wurden.

Einfluss der Raumakustik

Die Klangqualität jedes Lautsprechers wird durch den umgebenden Raum sowie Möbel, Wandmaterialien und sonstige Einrichtungsgegenstände deutlich beeinflusst. Große, spärlich möblierte Räume mit zahlreichen schallharten Flächen führen zu einem hellen und leicht diffusen Klangbild, während Räume mit dicken Vorhängen, Teppich und Stoffmöbeln zu einem wärmeren und dunkleren Klangbild führen.

Mehrkanalsysteme

XTZ Lautsprecher sind so konzipiert, dass sie sowohl für Stereo als auch für Heimkino-Systeme maximale Leistung bieten. Für den Anschluss der Lautsprecher in einem Mehrkanalsystem gelten grundsätzlich dieselben Einflüsse durch die Positionierung und durch den Raum, wie oben beschrieben.

Hinweis

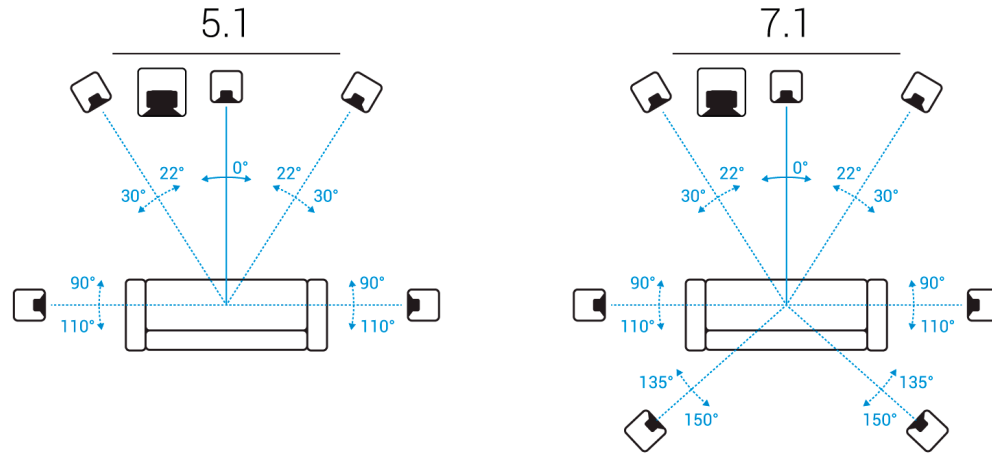
Wenn Sie ein Mehrkanalsystem einrichten, sollten die Lautsprecher ein realistisches Klangbild erzeugen. Dazu sollten die verschiedenen Lautsprecher jeweils über eine ähnliche Klangcharakteristik verfügen. Alle eingesetzten Lautsprecher sollten sich daher qualitativ auf demselben Niveau befinden. Das gilt insbesondere für den Center-Lautsprecher, da dieser im Mehrkanalsystem eine besonders wichtige Rolle einnimmt.

Center-Lautsprecher

Der Center-Lautsprecher ist für die Wiedergabe sämtlicher Informationen zwischen den beiden Frontlautsprechern zuständig und sollte daher mittig platziert werden. Da auch ein Großteil der Stimmen über den Center-Kanal wiedergegeben werden, sollte dieser bezüglich seiner Klangcharakteristik zu den Frontlautsprechern passend gewählt werden.

Surround-Lautsprecher

Die Surround-Lautsprecher sind für sämtliche Effekte verantwortlich, die hinter dem Hörplatz stattfinden. Sofern Sie kompakte Surround-Lautsprecher einsetzen, können diese in ein Regal gestellt, an der Wand montiert oder auf einem Stativ platziert werden. Diese Flexibilität birgt insbesondere in schwierigen Räumlichkeiten große Vorteile. Die beiden folgenden Grafiken zeigen die optimalen Positionen der Lautsprecher in einem 5.1 und 7.1 System.



Subwoofer

Subwoofer kommen für die Wiedergabe des LFE-Kanals, insbesondere in größeren Räumen zum Einsatz. Die optimale Positionierung von Subwoofern ist von der jeweiligen Raumgeometrie und der Raumakustik abhängig. Bitte beachten Sie dafür die Hinweise in der Bedienungsanleitung des Subwoofers.

Einspielzeit

Die beweglichen Teile eines neu produzierten XTZ Lautsprechers werden nach der Produktion akustisch geprüft und verschiedenen Testläufen unterzogen. Dennoch sind sie anschließend nicht so flexibel wie es für optimale Leistungsfähigkeit notwendig wäre. Je besser ein Lautsprechersystem ist, desto länger benötigt es, um die maximale Leistung zu erreichen. Daher benötigen neue XTZ Lautsprecher eine Einspielzeit von ca. 50-100 Stunden. Nach dieser Periode empfehlen wir vor jeder Nutzung ein paar Minuten Einspielzeit, um die Lautsprecher bestmöglich nutzen zu können.

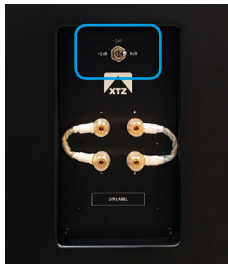
Reinigung der Lautsprecher

Schalten Sie zur Reinigung sämtliche Komponenten Ihrer Anlage aus. Vermeiden Sie es, die Kalottenhochtöner zu berühren, da diese empfindlich sind und beschädigt werden können. Reinigen Sie das Gehäuse nur mit einem weichen, trockenen oder leicht feuchten Tuch. Entfernen Sie Staub auf den Tieftönern mit einem Möbelpinsel. Sämtliche von XTZ eingesetzten Materialien wurden mit höchster Sorgfalt verarbeitet. Indem Sie Ihre Lautsprecher sorgsam behandeln, werden Sie diese hochwertige Verarbeitung über einen langen Zeitraum genießen können.

Belastbarkeit

Aufgrund der aufwendigen Konstruktion und der hochwertigen eingesetzten Treiber können XTZ Lautsprecher mit sehr hoher Leistung betrieben werden. Wird ein qualitativ hochwertiger Verstärker eingesetzt, der niedrige Verzerrungswerte aufweist, können XTZ Lautsprecher sehr hohe Schalldruckpegel ohne Kompromisse in der Klangqualität erreichen. Vorsicht walten lassen müssen Sie lediglich beim Betrieb an einem schwachen Verstärker oder Verstärkern mit verstellbarem Klang. Diese erreichen unter Umständen ihre eigene Leistungsgrenze und liefern dann ein Signal mit hohen Verzerrungswerten, dass auch die Lautsprecher beschädigen kann. Jeglicher auf diese Art und Weise zustande gekommener Schaden ist nicht von der XTZ Garantie abgedeckt.

Klanganpassungsmöglichkeiten



Alle Lautsprecher der Cinema-Serie sind mit Klanganpassungsmöglichkeiten als Teil unseres Raumanpassungskonzepts ausgestattet.

Hochtonepegelanpassung

Auf der Rückseite der Lautsprecher (oberhalb des Terminals) befindet sich ein Schalter, mit der Sie den Hochtone nach Wunsch einstellen können. Sie haben dabei die Wahl zwischen 0 dB (neutral), + 2 dB (Hochtone angehoben) und -2 dB (Hochtone abgesenkt), je nach Ihren Präferenzen und dem Klang der Lautsprecher in Ihrem Hörraum.

Bassreflexrohre Einstellungen (Nur M8 Tower)

Für die Cinema M8 Tower ist es möglich, den beigelegten Stopfen für das Bassreflexrohr zur Anpassung des Bassbereichs an Ihre Wünsche und Ihre Raumakustik zu nutzen. Durch die Verwendung des Stopfens können Sie die untere Grenzfrequenz und die Klangeigenschaften des Lautsprechers ändern.

Technische Daten

M8

Typ	3-Wege Kompakt- und Centerlautsprecher
Hochtöner	1 x 25mm Seidenkalotte XO: 18dB
Mitteltöner	5 x 25mm Seidenkalotte XO: 18dB / 18dB
Tieftöner	2 x 200mm Beschichtetes Langfaserzellstoff Mischmaterial XO: 24dB
Übergangsfrequenzen	950Hz & 2500Hz
Frequenzgang (+/- 3dB)	49 - 30 000 Hz
Impedanz	6 Ohm
Wirkungsgrad (1W / 1m)	91,2dB
Belastbarkeit (IEC 268-5)	600 W Musik IEC 268-5 350 W Dauer IEC 268-5
Abmessungen (B x H x T)	600 x 324 x 274 mm
Gewicht	27,7 kg
Garantie	5 Jahre

M8 Tower

Typ	3-Wege Standlautsprecher
Hochtöner	1 x 25mm Seidenkalotte XO: 18dB
Mitteltöner	5 x 25mm Seidenkalotte XO: 18dB / 18dB
Tieftöner	2 x 200mm Beschichtetes Langfaserzellstoff Mischmaterial XO: 24dB
Übergangsfrequenzen	950Hz & 2500Hz
Frequenzgang (+/- 3dB)	29 - 30 000 Hz, Offen (48 - 30 000Hz, Geschlossen)
Impedanz	6 Ohm
Wirkungsgrad (1W / 1m)	91,2dB
Belastbarkeit (IEC 268-5)	600 W Musik IEC 268-5 350 W Dauer IEC 268-5
Abmessungen (B x H x T)	1112 x 324 x 274 mm (H: 1075 mm ohne GummifüÙe)
Gewicht	33,2 kg
Garantie	5 Jahre

Notes / Notizen

XTZ Group AB (Sweden)

Gamla Nissastigen 17

31441 Torup / Sweden

Phone: +46(0)345-20049

Mail: info@xtzsound.eu

XTZ Deutschland (Germany)

Neudorfstr. 19

76316 Malsch / Deutschland

Tel.: 072469131483

Mail: kontakt@xtz-deutschland.de